

KFM2 - FIXED DECK MONITOR



Knowsley SK Limited - Designer and Manufacturer of Fire Fighting Equipment & Systems

Strategic fire protection - when and where its' needed most





Established in 1896, Knowsley SK Ltd has an enviable reputation for manufacturing quality fire fighting equipment and systems for high-value asset protection that can be relied upon whenever danger strikes.

Knowsley KFM2 Manual Gear Operated Monitor



01 Product Overview

Features

- Unobstructed 3" single waterway
- Flow capacity up to 4.800LPM (1,250 GPM)
- Cast-in turning vanes for efficient flow
- Low pressure loss - See [Table 3](#).
- Easy operation
- Lockable in horizontal plane.
- Vertical travel is controlled by hand wheel with worm gear
- Robust construction
- Corrosion resistant materials
- Rotation – Full 360 Degrees
- Elevation – +70 Degrees
- Depression – -60 Degrees
- CE marked

02 Model Numbers / Overall Dimensions

Overall dimensions are shown in [figure 1](#).
See [figure 1](#). for corresponding annotations

Table 1.

MODEL No.	PART No.	A	B	WEIGHT
KFM2	6030 / X / 1	3"ANSI 150 FF	2½"NSTM	25KGS
KFM2	6030 / X / 2	4"ANSI 150 FF	2½"NSTM	26KGS

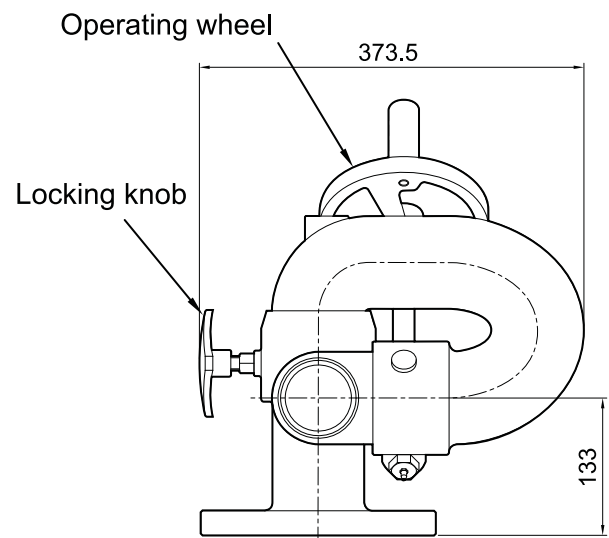
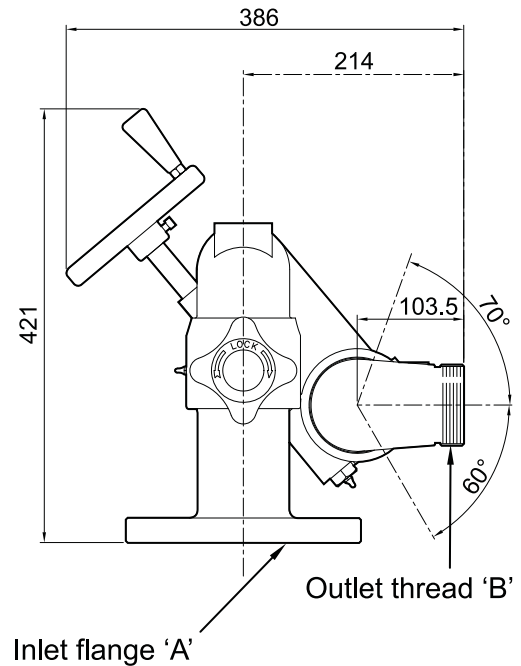


Figure 1. (Dimensions in mm)



Knowsley SK Limited, Centrepoint, Marshall Stevens Way, Trafford Park, Manchester M17 1AE
Tel: +44(0)161 872 7511 Fax: +44(0)161 848 8508 Email: Sales@knowsleysk.co.uk Web: www.knowsleysk.com

Registered in England No. 1789152 VAT No:383475131



Our Century of experience, continuous product development and world-wide support network provides the confidence for clients to select Knowsley SK as their first choice for asset protection whatever, whenever and wherever the risk.



03 Product Materials

The KFM2 fixed monitor is manufactured from the following corrosion resistant materials:

- Inlet stand – Gunmetal EN1982 CC491K
- Upper and lower bend – Gunmetal EN1982 CC491K
- Operating Hand Wheel – Gunmetal EN1982 CC491K
- Ball bearings – Stainless Steel
- O-Rings – EPDM

Standard painting cycle:–

Red RAL 3002 powder coating provides a tough, corrosion resistant finish.

04 Product Details

The Knowsley KFM2 fixed monitor is ideal for use in marine, offshore, industrial and other corrosive environments.

Comprising essentially an inlet stand with lower and upper bend assemblies and a threaded outlet enabling a variety of discharge nozzles to be fitted.

Swivel joints have a double row of stainless steel ball bearings to ensure smooth operation. Worm gear is fully enclosed and therefore protected from the elements.

The flanged inlet enables the monitor to be mounted on pipe–stands, hydrants, trailers, firemain and towers.

05 Performance Data

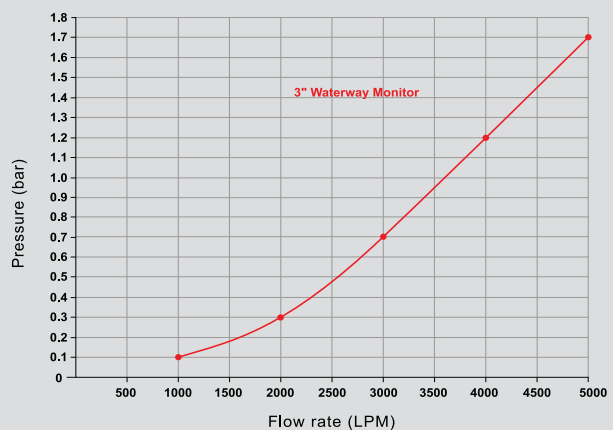
KFM2 fixed monitor performance data is shown in [tables 2 and 3](#).

Table 2. Performance Data

MODEL No.	PART No.	Operating Pressure Range	Elevation	Depression	Rotation
KFM2	6030 / X / 1	3.5 - 14 Bar	70°	60°	360°
KFM2	6030 / X / 2	3.5 - 14 Bar	70°	60°	360°

Hydro-static pressure tested at 23 BAR

Table 3. Pressure Loss 3" Waterway Monitor



06 Spares Information

Please contact our dedicated spares department for the KSK 6030 spares kit

spares@knowsleysk.co.uk



Knowsley SK Limited, Centrepoint, Marshall Stevens Way, Trafford Park, Manchester M17 1AE
 Tel: +44(0)161 872 7511 Fax: +44(0)161 848 8508 Email: Sales@knowsleysk.co.uk Web: www.knowsleysk.com

Registered in England No. 1789152 VAT No:383475131

