

# FYREXTRA RIMSEAL FOAM POURER - GENERATOR



Knowsley SK Limited - Designer and Manufacturers of Fire Fighting Equipment & Systems

*Strategic fire protection - when and where its needed most*





Established in 1896, Knowsley SK Ltd has an enviable reputation for manufacturing quality fire fighting equipment and systems for high-value asset protection that can be relied upon whenever danger strikes.

## 01 Product Overview

- Choice of sizes to suit a wide range of flow rates.
- Suitable for use with all available foam concentrates.
- Factory calibrated to match specific flow and pressure ensuring superior foam quality.
- Low foam loss at high wind speeds.
- High quality materials and construction.
- Easy installation and accessibility.
- No moving parts hence low maintenance costs.
- Held in stock for quick delivery.

A major problem with fighting rimseal fires on floating roof storage tanks is foam dispersion due to high winds. The KnowsleySK Fyrextra Rimseal Purer addresses this specific issue and by nature of its innovative design ensures minimal foam loss.

## 02 Overall Dimensions

Overall dimensions are shown in [figure 1](#).

All dimensions shown in mm.

- Weight : Approx 16Kg

## 03 Product Materials

The Rimseal Purer is manufactured from the following high grade materials:

- Pipework and fittings : SS316L
- Discharge Nozzle : SS316L
- Inlet Nozzle Plate : SS316L
- Foam Maker : Bronze

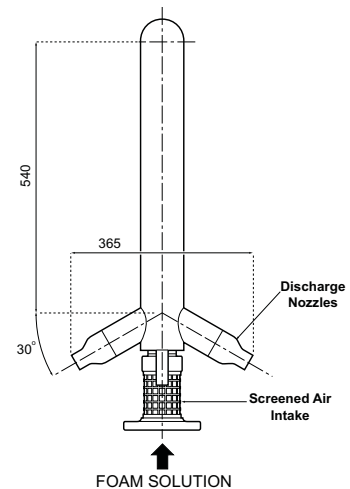
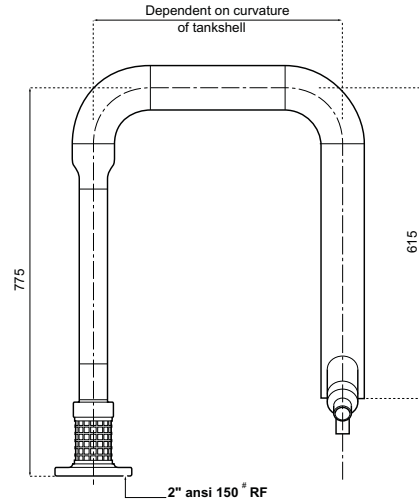


Figure 1. Fyrextra Rimseal Purer - Generator

### Painting Cycle

At request the assembly can be shotblasted with aluminiumoxide and coated with one layer of primer (DFT 25 $\mu$ m) and one layer of acrylic paint, red RAL 3000 (DFT 30 $\mu$ m).



Knowsley SK Limited, Centrepoint, Marshall Stevens Way, Trafford Park, Manchester M17 1AE  
Tel: +44(0)161 872 7511 Fax: +44(0)161 848 8508 Email: Sales@knowsleysk.co.uk Web: www.knowsleysk.com

Registered in England No. 1789152 VAT No:383475131



Our Century of experience, continuous product development and world-wide support network provides the confidence for clients to select Knowsley SK as their first choice for asset protection whatever, whenever and wherever the risk



## 04 Product Details

A bronze foam maker at the inlet of the unit is specially calibrated to ensure the correct performance at specified pressures.

Air is entrained with the foam solution via a screened intake and the foam is propelled up the riser pipe by line pressure. Expansion occurs within the larger diameter portion of the unit and the foam is accurately directed at the tank rimseal area via specially angled and sized discharge nozzles.

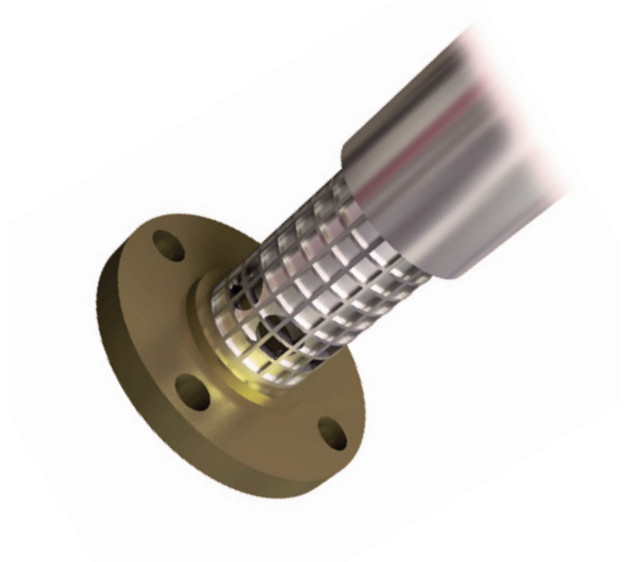


Figure 2. Bronze foam maker detail

## 05 Performance Data

Rimseal Pourer Performance data is shown in Table 1.

Table 1. Performance Data

Inlet pressure	Capacity
5 bar	200 L/min
7 bar	240 L/min

## 06 Spares Information

Bronze foam maker complete with air intake screen and Stainless Steel nozzle.

Contact our dedicated spares department. [spares@knowsleySK.co.uk](mailto:spares@knowsleySK.co.uk)

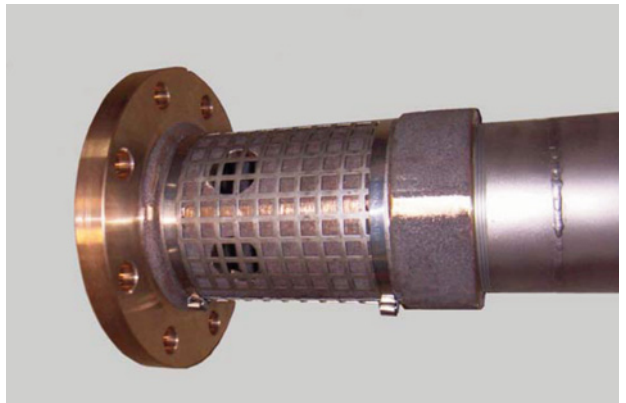


Figure 3. Spares detail

